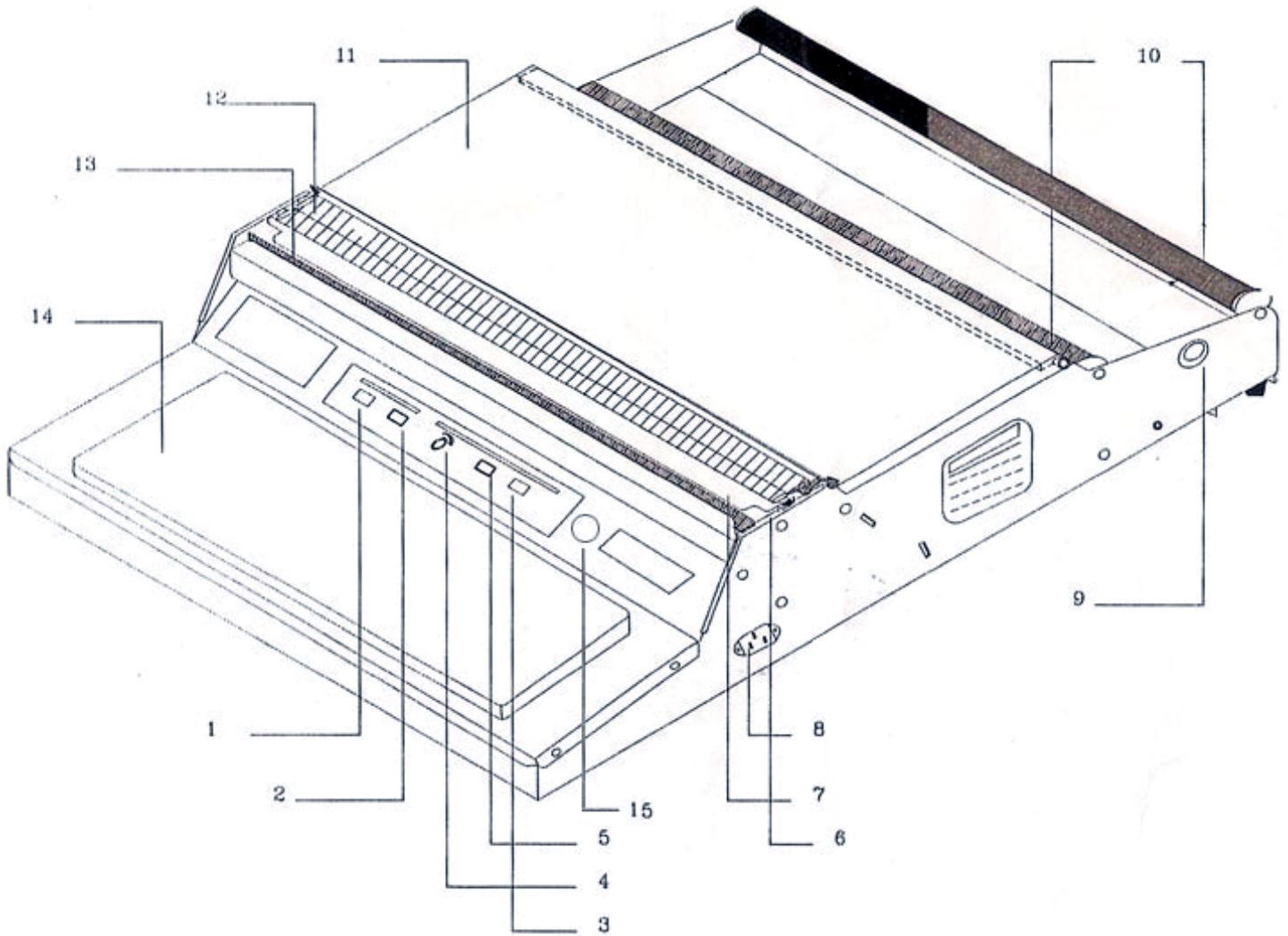


Parts Breakdown

Model SE-KR-0450 43486



Parts Breakdown

Model SE-KR-0450 43486

Item No.	Description	Position	Item No.	Description	Position	Item No.	Description	Position
62756	On/Off Switch Heat Cutter for 43486	1	62763	Inlet AC Input for 43486	8	62768	Heat Cutter Teflon Coated for 43486	13
62757	PCB Assy. Main (Lamps. Temp Control Embedded) for 43486	2, 4, 5	62764	Tension Control Bolt for 43486	9	62769	Heat Plate Teflon Coated for 43486	14
62758	On/Off Switch Heat Plate for 43486	3	62765	Film Mount Roller for 43486	10	63194	Tension Control Plate for 43486	14
63192	Fuse Assembly for 43486	4A	63193	Table Lock Right for 43486	10	62770	Fuse for 43486	15
62759	Safety Cover Assy Heat Cutter for 43486	6, 7	62766	Work Table for 43486	11			